



A

FEED AND BIOFUEL

FAST AND EFFICIENT BATCH MIXING

SHANGHAI MIXER TYPE SMX AND SMXD

ANDRITZ

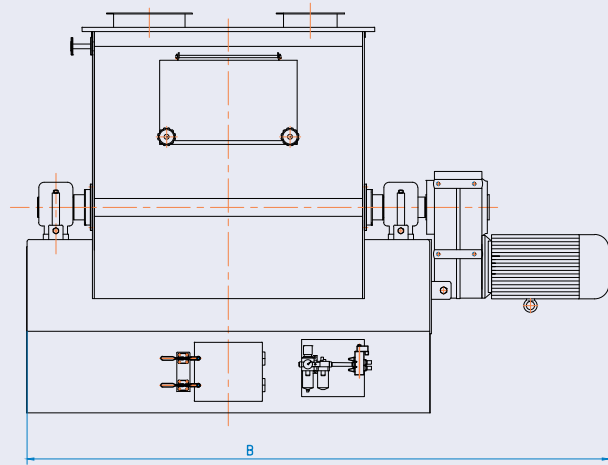
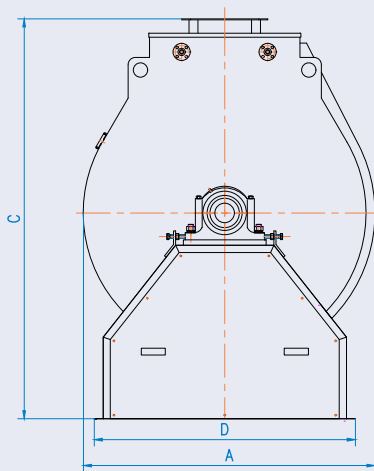
ENGINEERED SUCCESS

Mixer for a wide range of applications

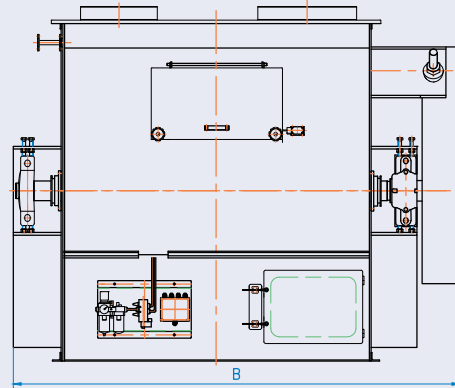
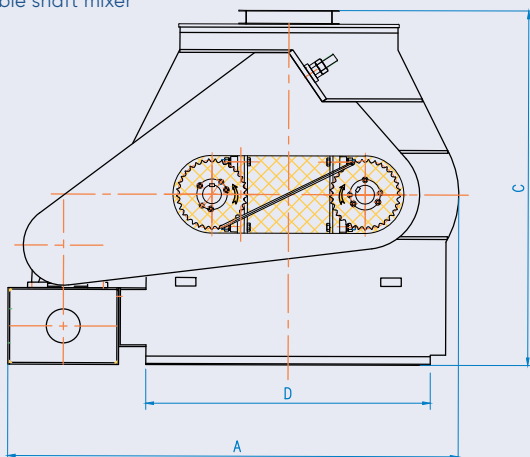
The ANDRITZ SMX and SMXD series mixers are proven to deliver fast and efficient mixing that is ideal for a variety of powdered and specialty granular materials.

Fast, high-quality mixing, and complete material discharge are all vital for the optimal operation of both the pellet mills and extruder as well as ideal animal performance. Therefore, ANDRITZ supplies two different batch mixers suited for your particular needs.

Single shaft mixer



Double shaft mixer



SMX mixer



SMXD mixer



SMX SERIES SINGLE-SHAFT MIXER FEATURES

- **Homogeneous Mixing:** The rotor of the machine is equipped with two layers of paddles; this configuration strengthens the distribution of particles and decrease mixing time while still achieving homogeneity.
- **Low Residue:** The opening range of the discharge door as well as the optimized space between the paddles and housing virtually eliminates residue buildup and prevents cross contamination.
- **No leakage:** The closed shaft design and the silicone rubber seal on the discharge door both work to prevent material leakage.
- **Humanization:** The wide access door makes the machine easy to clean and maintain and the protection switch provides an additional guarantee of personal safety.

SMXD SERIES DOUBLE-SHAFT MIXER FEATURES

- **Short mixing time and high homogeneity:** Homogeneous mixing occurs within 45~60s amounts to CV≤5%, which largely reduces the mixing time; saving energy and improving productivity.
- **Large effective volume for liquid addition:** A variety of liquid can be added, such as water, molasses, oil etc. according to demands.
- **Chain driven design:** The SMXD is smooth running, features low power loss, and a long service life thanks to the chain and wheel drive.
- **Unique structure:** The unique shape and structure offers fast discharge with minimal residue buildup but requires little floor space.

TECHNICAL SPECIFICATIONS

Model	Volume m ³	Power kW	Capacity kg/batch	A mm	B mm	C mm	D mm
SMX1	1	11	500	1320	2843	1744	1200
SMX2	2	18.5	1000	1630	3253	2236	1460
SMX3	3	22	1500	1800	3651	2385	1600
SMX4	4	37	2000	1950	3927	2635	1700
SMX6	6	55	3000	2140	4542	2740	1800
SMXD1	1	11	500	2170	2026	1691	1450
SMXD2	2	18.5	1000	2645	2620	2082	1670
SMXD4	4	30	2000	3052	2822	2283	1865
SMXD7	7	45	3000	3624	3243	2482	2100
SMXD8	8	55	4000	3724	3518	2683	2100



GLOBAL SUPPLIER – LOCAL PRESENCE

With sales, service, engineering, manufacturing and production sites located all around the world, ANDRITZ Feed and Biofuel is truly a global organization with a local presence. ANDRITZ is vital to ensuring a reliable global supply of aqua feed, animal feed, pet food, and biofuel. With full process lines accounting for half the world's production of aqua feed and biomass alone, we continuously support leading producers in achieving the highest levels in safety, quality, and control from feedstock to final product.

How can we help grow your business?

ANDRITZ Feed and Biofuel A/S

Glentevej 5-7
6705 Esbjerg, Denmark
p: +45 72 160 300
andritz-fb.dk@andritz.com

ANDRITZ (Shanghai) Equipment & Engineering Co., LTD

No.2288, Rongle East Road, Songjiang,
201613, Shanghai, P.R.China
p: +86 21 57745781
andritz-fb.cn@andritz.com

AUSTRALIA

p: +61 3 8773 4888
andritz-fb.au@andritz.com

CHINA

p: +86 21 5774 5781
andritz-fb.cn@andritz.com

INDIA

p: +91 87544 15287
andritz-fb.india@andritz.com

SOUTH AFRICA

p: +27 82 781 0808
andritz-fb.za@andritz.com

BANGLADESH

p: +88 (02) 9844800
andritz-fb.bd@andritz.com

COLOMBIA

p: +57 (1) 744 8200
andritz-fb.co@andritz.com

ITALY

p: +39 (0445) 575 695
andritz-fb.it@andritz.com

TURKEY

p: +90 232 570 38 00
andritz-fb.tr@andritz.com

BRAZIL

p: +55 47 3387 9146
andritz-fb.br@andritz.com

DUBAI

p: +971 4 299 5555
andritz-fb.uae@andritz.com

MEXICO

p: +52 443 323 1530 ext 364
andritz-fb.mx@andritz.com

UK

p: +44 1482 825119
andritz-fb.uk@andritz.com

CANADA

p: +1 519 676 7057
anbosales@andritz.com

FRANCE

p: +33 24 75 06 364
andritz-fb.fr@andritz.com

NETHERLANDS

p: +31 40 2627777
andritz-fb.nl@andritz.com

USA

p: +1 570 546 1253
andritz-fb.us@andritz.com

CHILE

p: +56 2 24624608
andritz-fb.cl@andritz.com

GERMANY

p: +49 2104 9197 0
andritz-fb.de@andritz.com

POLAND

p: +48 60 906 1037
andritz-fb.pl@andritz.com

VIETNAM

p: +84 8 6253 9434
andritz-fb.vi@andritz.com

ANDRITZ.COM/FT

ANDRITZ

All data, information, statements, photographs and graphic illustrations in this leaflet are without any obligation and raise no liabilities to or form part of any sales contracts of ANDRITZ AG or any affiliates for equipment and/or systems referred to herein. © ANDRITZ AG 2019. All rights reserved. No part of this copyrighted work may be reproduced, modified or distributed in any form or by any means, or stored in any database or retrieval system, without the prior written permission of ANDRITZ AG or its affiliates. Any such unauthorized use for any purpose is a violation of the relevant copyright laws. ANDRITZ AG, Stattegger Strasse 18, 8045 Graz, Austria.



3005 GB