



FEED AND BIOFUEL PELLET MILL SPROUT 45-700

Introduced in 1997, ANDRITZ's Sprout 45-700 series pellet mill is especially designed to provide high capacity production of swine and poultry feeds. Some U.S. poultry operations routinely achieve in excess of 100 tons per hour capacity.

Our 700 HP gearbox has successfully performed in difficult power-intensive applications, such as corn gluten feed, for over 20 years. Some dies have produced in excess of 500,000 tons of poultry feed pellets.

The 45-700 pellet mill is supplied with three roll assemblies that, when paired with our Centri-Feeder, reduce stress on the mill's bearings and die, which extends life while reducing potential downtime (a critical consideration on a pellet mill this size).

ANDRITZ

ENGINEERED SUCCESS

The 45-700 pellet mill's tapered die mounting is designed to make changing dies easier and faster. The bolted, taper-mounted dies are operator-friendly, with a self-piloting design that aligns the die. The symmetrical design of the die provides reversibility for longer life.

The die is mounted in split tapered wear rings. No tools or welding are required for installation of this unique design. Oversize wear rings are available to extend the life of the die housing and stiffener ring.

The exclusive Centri-Feeder available on all Sprout gear-driven pellet mills introduces feed uniformly around 360 degrees of the die. A one-piece, adjustable plow equally divides the feed to each roll and across the full width of the die. Even distribution results in smooth operation and even die wear and reduces stress on the pelleting components.

OPTIONS:

- Hoist with lifting tools for die and roll changes
- Left hand or right hand hinged pellet mill door
- Option of water or air heat-exchanger for gear-oil cooling
- Auto grease system for roll and main bearing
- Conditioner with optional liquid(s) and/or steam addition
- Centrifeder to provide even feed to roll assemblies and maximize bearing, roll shell and die life.

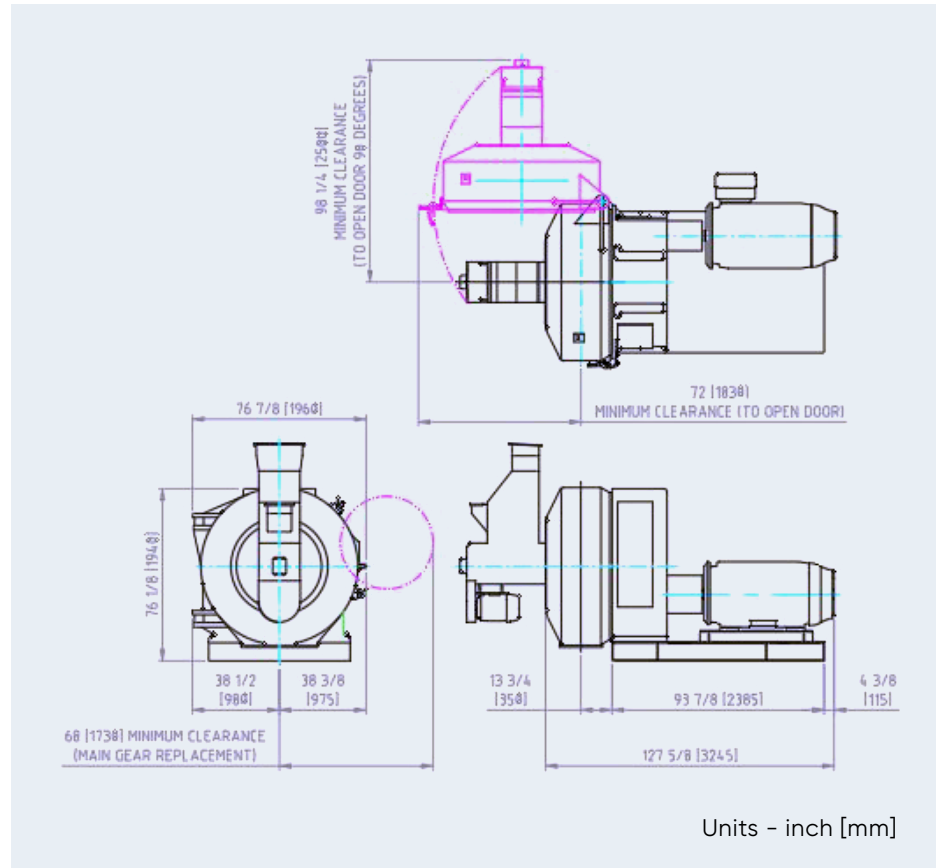
ANDRITZ Feed and Biofuel A/S

andritz-fb.dk@andritz.com

p: +45 72 160 300 / andritz.com/ft



All data, information, statements, photographs and graphic illustrations in this leaflet are without any obligation and raise no liabilities to or form part of any sales contracts of ANDRITZ AG or any affiliates for equipment and/or systems referred to herein. © ANDRITZ AG 2021. All rights reserved. No part of this copyrighted work may be reproduced, modified or distributed in any form or by any means, or stored in any database or retrieval system, without the prior written permission of ANDRITZ AG or its affiliates. Due to legal requirements, we must inform you that ANDRITZ AG processes your data for the purposes informing you about the ANDRITZ GROUP and its activities. Find out more details about our data privacy declaration and your rights under the data protection legislation on our website: andritz.com/privacy. ANDRITZ AG, Stattegger Strasse 18, 8045 Graz, Austria.



Units - inch [mm]

TECHNICAL DATA

Model	Die size					
	Max. HP	I.D.	Work width	Work area	No. rolls	Weight*
45W-700	700 [522 kW]	45 [1143 mm]	12-3/4 in. [324 mm]	1802 Sq.in. [11626 cm ²]	3	22,520 lb. [10215 Kg]

*Less motor

ANDRITZ Feed and Biofuel USA

andritz-fb.us@andritz.com

p: +1 570 546 1253



1 0221